

Elevator Safety Components

Overrun buffers
made of Cellasto[®] L

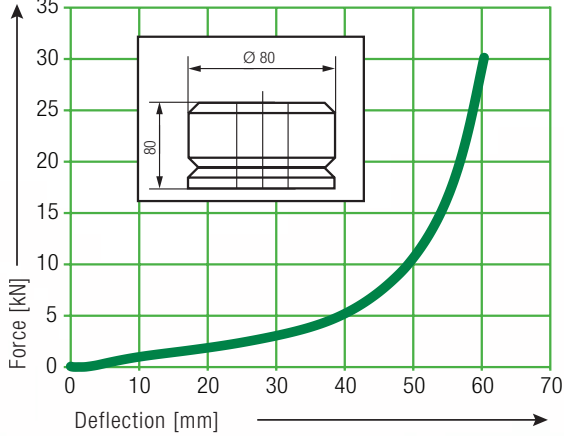


Load Deflection

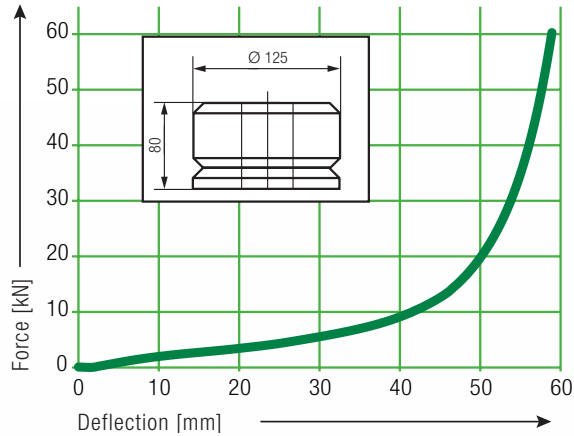
for overrun buffers made of Cellasto L
in accordance with ASME A17.7/CSA B44.7 standard

Cellasto overrun buffers are manufactured from a microcellular polyurethane elastomer and are designed to meet or exceed the strictest safety standards.

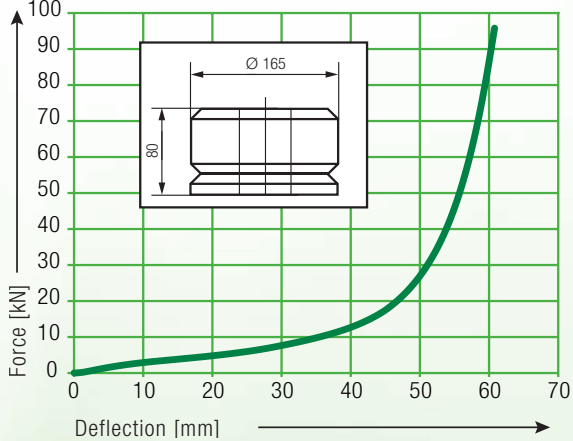
**Cellasto Overrun Buffer, Article Number 45009050
(80 mm x 80 mm)**



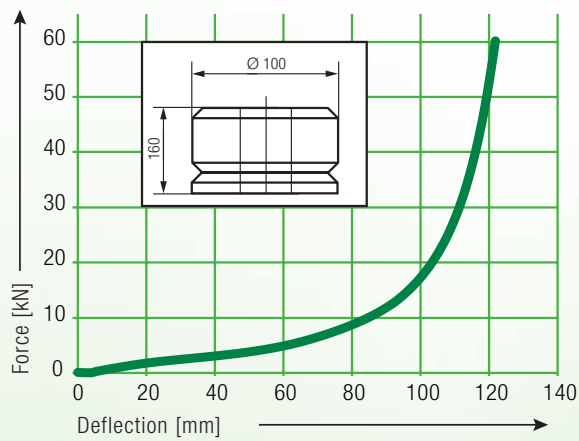
**Cellasto Overrun Buffer, Article Number 45015328
(125 mm x 80 mm)**



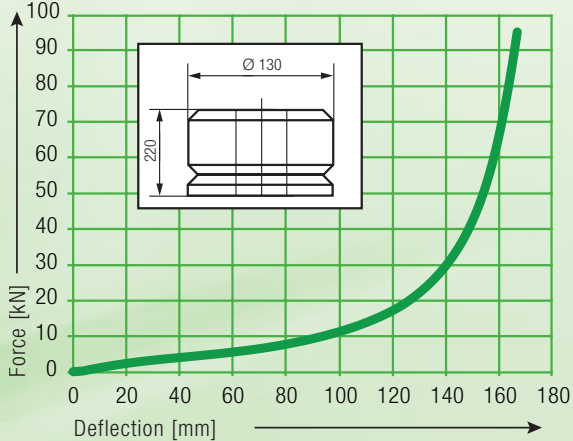
**Cellasto Overrun Buffer, Article Number 45015325
(165 mm x 80 mm)**



**Cellasto Overrun Buffer, Article Number 45015327
(100 mm x 160 mm)**



**Cellasto Overrun Buffer, Article Number 45015406
(130 mm x 220 mm)**



Cellasto elevator buffers



Liftinstituut Certification*



for overrun buffers made of Cellasto L
in accordance to ASME A17.7/CSA B44.7 standard

Cellasto L Overrun Buffers for Elevator Cars and Counterweights

Safety components in accordance with ASME A17.1/CSA B44.7 standard

Cellasto L Overrun Buffers			Capacity range for buffers with non-linear deflection curve at rated speed v				
Article Number	Dimensions		Liftinstituut Certification Number	0.75 m/s		1.0 m/s	
	D	H		min	max	min	max
45009050	80	80	NA13-0842-1004-001-01	160 kg	1200 kg	200 kg	1000 kg
45015328	125	80	NA13-0842-1004-001-02	250 kg	2800 kg	370 kg	1600 kg
45015325	165	80	NA13-0842-1004-001-03	300 kg	4000 kg	520 kg	3150 kg
45015327	100	160	NA13-0842-1004-001-04	170 kg	4250 kg	230 kg	3500 kg
45015406	130	220	NA13-0842-1004-001-05	220 kg	7000 kg	330 kg	4500 kg

Comment: For buffers having a lower nominal speed than indicated in the examination certificate you have to take the load range of the next higher nominal speed listed in the table. The load limits have been ascertained by testing in accordance with ASME A17.7/CSA B44.7 standard and are valid for the elevator car loaded with rated (full) load.

The buffers should not decelerate the load greater than 9.81 m/s^2 (32.2 ft/s^2) and should not decelerate greater than 24.5 m/s^2 (80.5 ft/s^2) with a duration of 0.04 s, with an empty car plus 70 kg (154 lbs) when the buffer is impacted with a minimum speed of 115% of the rated speed.

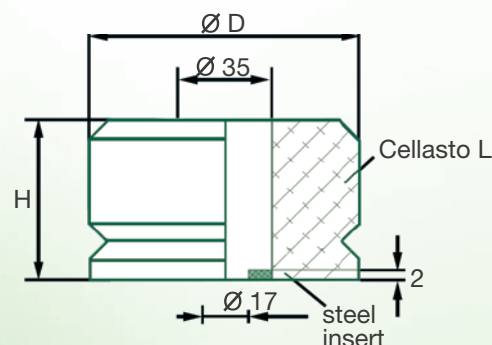
The examination was carried out with Cellasto L buffers in accordance with regulation ASME A17.7/CSA B44.7 standard

Certification:

Liftinstituut Headquarters
P.O. Box 36027
1020 MA Amsterdam,
The Netherlands
Tel: +31 20 - 4350606
Fax: +31 20 - 4350626
E-mail: info@liftinstituut.com

Overrun Buffers made of Cellasto L

(Sketch)



Comments on Installation:

Cellasto L buffers can be installed individually or in parallel arrangements.

The buffers contain a steel insert which is molded within Cellasto L.

The Cellasto L buffers may either be mounted in the pit or alternatively on the underside of the lift car sling. This applies to the counterweight as well.

For mounting we recommend an M16 screw. It is not necessary to use a washer.

The mounting surface must be smooth and flat and approximately 15% larger than the buffer diameter.

* used with permission of Liftinstituut

Elevator Safety Components

BASF Corporation

1609 Biddle Avenue

Wyandotte, MI 48192

Phone: 734-324-5354

E-mail: cellasto@basf.com

Follow us on:



facebook.com/basf



twitter.com/basf



For more information on Cellasto® from BASF, scan the QR Code above, or visit: www.polyurethanes.basf.us

BASF Polyurethanes

Polyurethanes make life more comfortable, safer and more pleasant while helping to save energy sustainably. They contribute towards improved insulation of buildings and more attractive, lightweight design of cars. Producers of shoes, mattresses and household goods as well as sports equipment use the unique advantages of polyurethanes provided with the knowledge and expertise of the polyurethane experts of BASF world-wide.

WHILE THE DESCRIPTIONS, DESIGNS, DATA AND INFORMATION CONTAINED HEREIN ARE PRESENTED IN GOOD FAITH AND BELIEVED TO BE ACCURATE, THEY ARE PROVIDED FOR GUIDANCE ONLY. BECAUSE MANY FACTORS MAY AFFECT PROCESSING OR APPLICATION/USE, BASF RECOMMENDS THAT THE READER MAKE TESTS TO DETERMINE THE SUITABILITY OF A PRODUCT FOR A PARTICULAR PURPOSE PRIOR TO USE. **NO WARRANTIES OF ANY KIND, EITHER EXPRESSED OR IMPLIED, INCLUDING, BUT NOT LIMITED TO, WARRANTIES OF MERCHANTABILITY OR FITNESS FOR A PARTICULAR PURPOSE, ARE MADE REGARDING PRODUCTS DESCRIBED OR DESIGNS, DATA OR INFORMATION SET FORTH, OR THAT THE PRODUCTS, DESCRIPTIONS, DESIGNS, DATA OR INFORMATION MAY BE USED WITHOUT INFRINGING THE INTELLECTUAL PROPERTY RIGHTS OF OTHERS.** IN NO CASE SHALL THE DESCRIPTIONS, INFORMATION, DATA OR DESIGNS PROVIDED BE CONSIDERED A PART OF BASF'S TERMS AND CONDITIONS OF SALE. FURTHER, THE DESCRIPTIONS, DESIGNS, DATA, AND INFORMATION FURNISHED BY BASF HEREUNDER ARE GIVEN GRATIS AND BASF ASSUMES NO OBLIGATION OR LIABILITY FOR THE DESCRIPTIONS, DESIGNS, DATA OR INFORMATION GIVEN OR RESULTS OBTAINED, ALL SUCH BEING GIVEN AND ACCEPTED AT THE READER'S RISK.

© 2013 BASF Corporation, Wyandotte, MI 48192. All rights reserved. BF 00000

